

WEIL Wastewater Pumps

Vertical and Submersible Models

Stainless Steel

Model Index

Stainless Steel pumps are available in vertical and submersible floor mount models. All pump components are cast not welded 316 stainless steel.

Vertical models can be installed as cover mount or floor mount. Graphite sleeve bearings and ball thrust bearing are on all models. Vertical models have cast 316 stainless steel wet end components.

- Case
- Impeller
- Shaft
- Leg(s)
- Discharge Pipe

Submersible models are floor mount and have a double tandem seal. Submersible models have cast 316 stainless steel pump and motor components.

- Case
- Impeller
- Motor Shell

All models have NPT discharge.

NPT = National Pipe Taper. Discharge has an threaded connection suitable for threaded pipe or fittings.

CONSTRUCTION GUIDE

CONSTRUCTION	PH
All Cast Stainless Steel	14
	13
	12
	11
	10
All Iron	9
	8
Cast Iron or Bronze Fitted	7
	6
All Bronze	5
	4
All Cast Stainless Steel	3
	2
	1
	0

Alkaline

Increasing Alkalinity

Increasing Acidity

Acid

Vertical Models - Stainless Steel

Listed by Discharge Size then Solid Size

Model	Disch. Size	Solids Size	Max "L"	Mount Style	Max HP	Max GPM	Model
1222	1 1/2	1/2	80	F C	3/4	80	1222
1245	2	1/2	81	F C	1 1/2	140	1245
1309	2	1/2	93	C	2	160	1309
1311	2	3/4	93	C	5	170	1311
1226	2	2	84	F C	1 1/2	115	1226
2108	3	2 1/4	94	C	5	450	2108

All Dimensions - Inches

L = Distance up from the bottom of the pump to the Floor Plate

C = Cover mount style- Pump floor plate rests on wet well cover

F C = Combination floor mount style or cover mount style

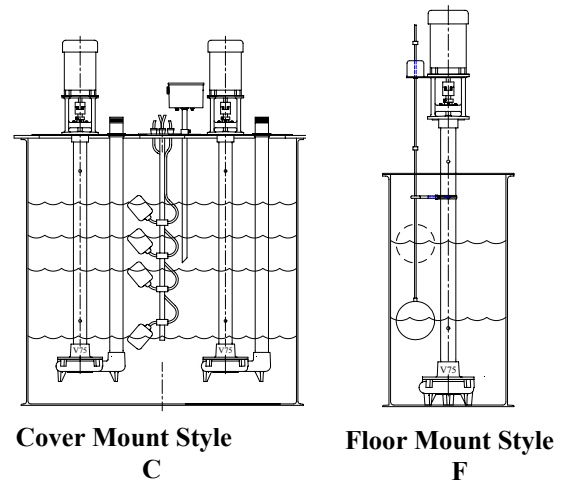
Submersible Models - Stainless Steel

Listed by Discharge Size then Solid Size

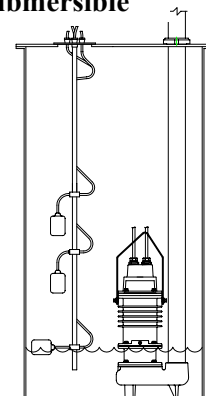
Model	Disch. Size	Solids Size	Max HP	Max GPM	Model
1619	1 1/2	1/2	3/4	70	1619
1601	2	1/2	2	170	1601
1621	2	3/4	5	170	1621
2545	3	2 1/4	5	425	2545

All Dimensions - Inches

Vertical



Submersible



Floor Mount Style

XG

KG